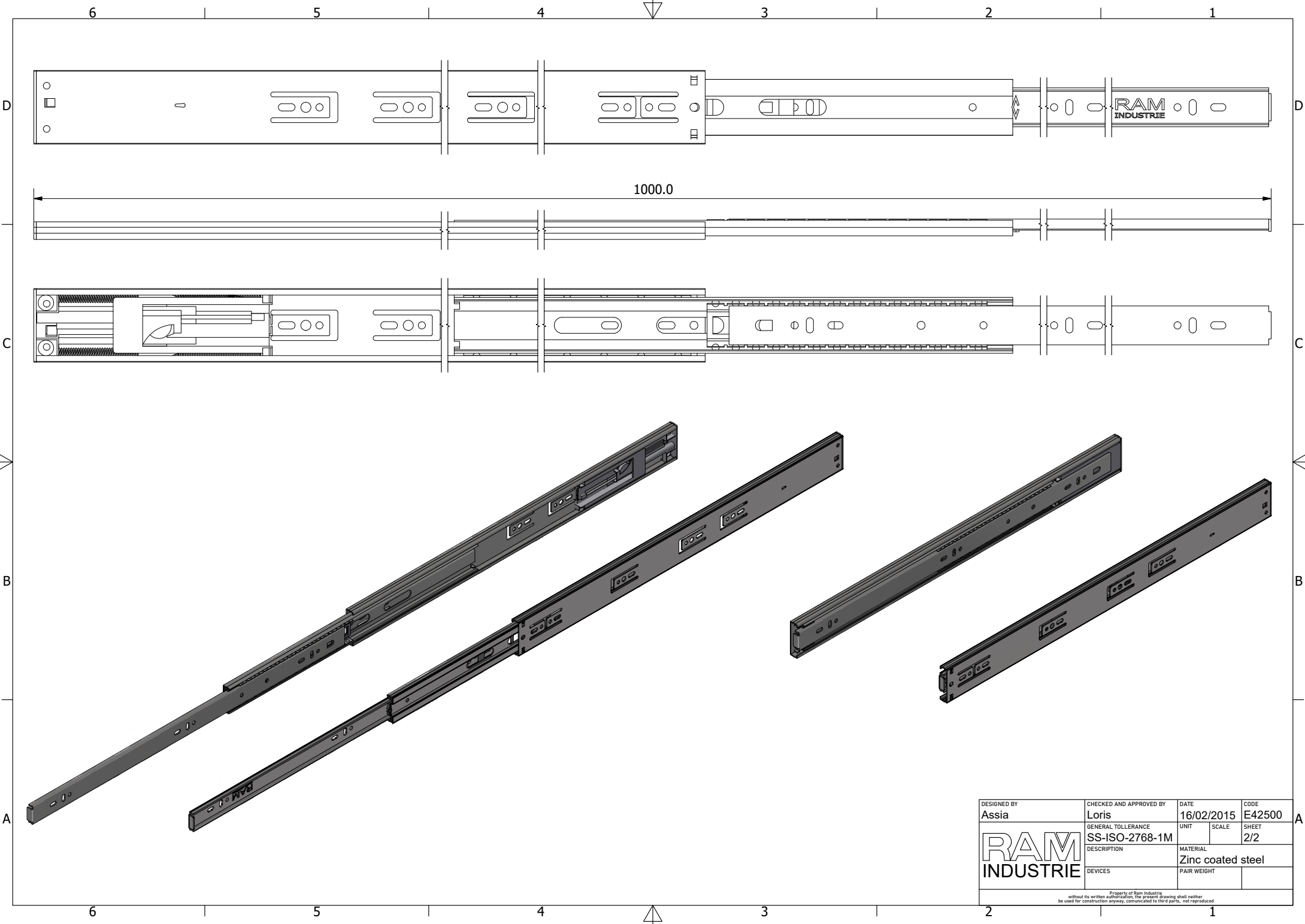


DESIGNED BY <b>Assia</b>	CHECKED AND APPROVED BY <b>Loris</b>	DATE <b>16/02/2015</b>	CODE <b>E42500</b>
		GENERAL TOLLERANCE <b>SS-ISO-2768-1M</b>	UNIT SCALE SHEET <b>1/2</b>
		DESCRIPTION DEVICES	MATERIAL <b>Zinc coated steel</b> PAIR WEIGHT
<small>Property of Ram Industrie without its written authorization, the present drawing shall neither be used for construction anyway, communicated to third parts, nor reproduced</small>			



1000.0

DESIGNED BY Assia	CHECKED AND APPROVED BY Loris	DATE 16/02/2015	CODE E42500
GENERAL TOLLERANCE SS-ISO-2768-1M		UNIT	SCALE
DESCRIPTION		SHEET 2/2	
DEVICES		MATERIAL Zinc coated steel	PAIR WEIGHT
<small>Property of Ram Industrie without its written authorization, the present drawing shall neither be used for construction anyway, communicated to third parts, nor reproduced</small>			