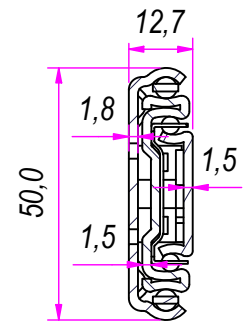
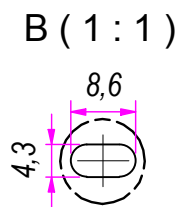
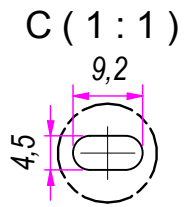


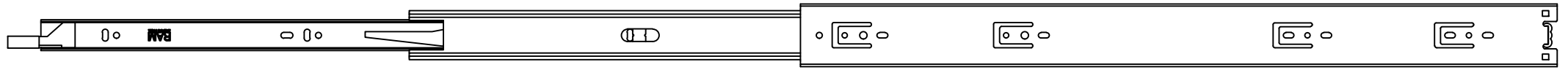
SEZ. A-A



Guide per cassetti; guide telescopiche	Coulisses à billes; coulisse télescopique	
Drawer slide; telescopic ball bearing slide	Guías para cajones; guía teleópica	
Kugelführung; Teleskopschienen		

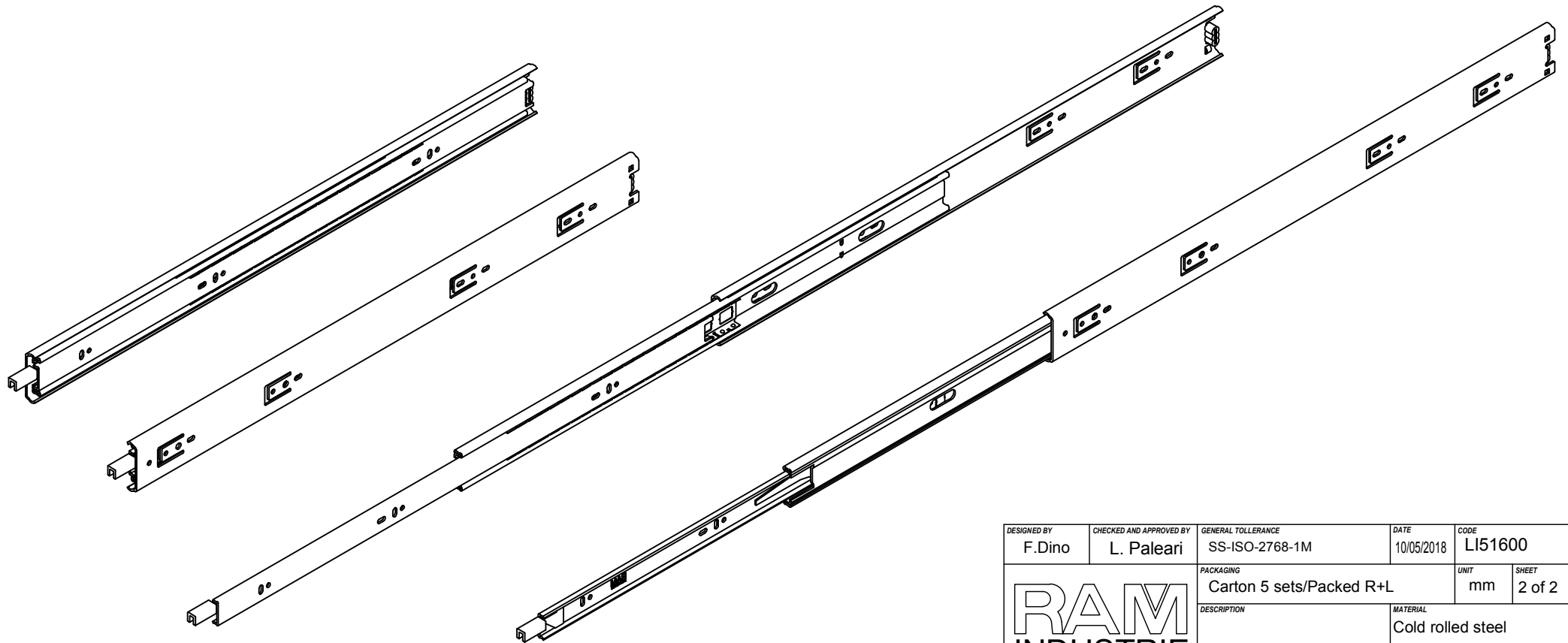
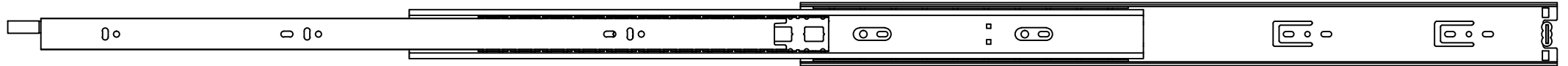
REVISION HISTORY		
REV	DESCRIPTION	DATE
1a		10/05/2018

DESIGNED BY F. Dino	CHECKED AND APPROVED BY L. Paleari	GENERAL TOLERANCE SS-ISO-2768-1M	DATE 10/05/2018	CODE LI51600
			PACKAGING Carton 5 sets/Packed R+L	UNIT mm
			DESCRIPTION Lock-in	SHEET 1 of 2
			MATERIAL Cold rolled steel	PAIR WEIGHT 2,538 Kg
Property of RAM Industrie. Without its written authorization the present drawing shall neither be used for construction anyway, communicated to third parties, nor reproduced.				



1202,0

602,0



Guide per cassetti; guide telescopiche	Coulisses à billes; coulisse télescopique
Drawer slide; telescopic ball bearing slide	Guías para cajones; guía teleópica
Kugelführung; Teleskopschienen	

REVISION HISTORY	
REV	DESCRIPTION
1a	

DESIGNED BY F. Dino	CHECKED AND APPROVED BY L. Paleari	GENERAL TOLERANCE SS-ISO-2768-1M	DATE 10/05/2018	CODE LI51600
PACKAGING Carton 5 sets/Packed R+L			UNIT mm	SHEET 2 of 2
DESCRIPTION Lock-in			MATERIAL Cold rolled steel	
			PAIR WEIGHT 2,538 Kg	02C
<p>Property of RAM Industrie. Without its written authorization the present drawing shall neither be used for construction anyway, communicated to third parties, nor reproduced.</p>				

RAM
INDUSTRIE