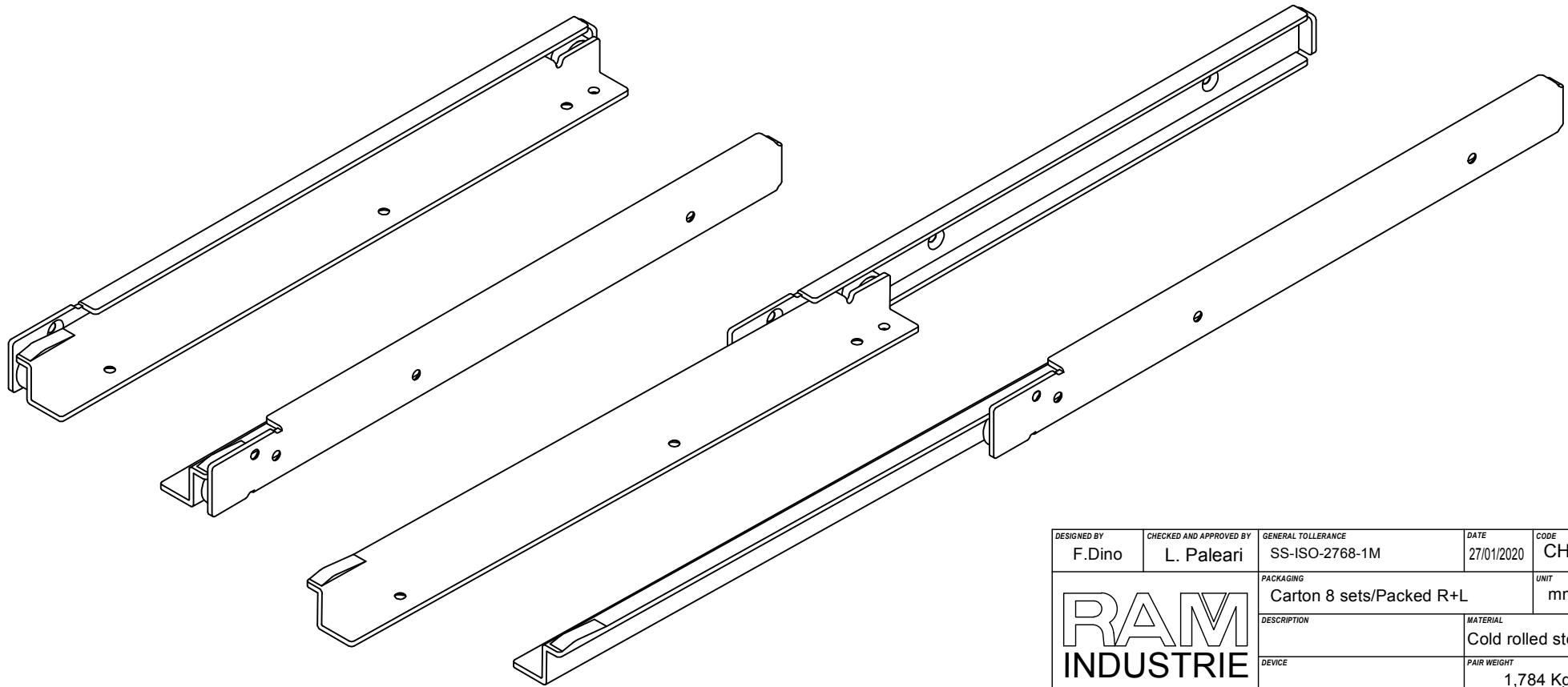
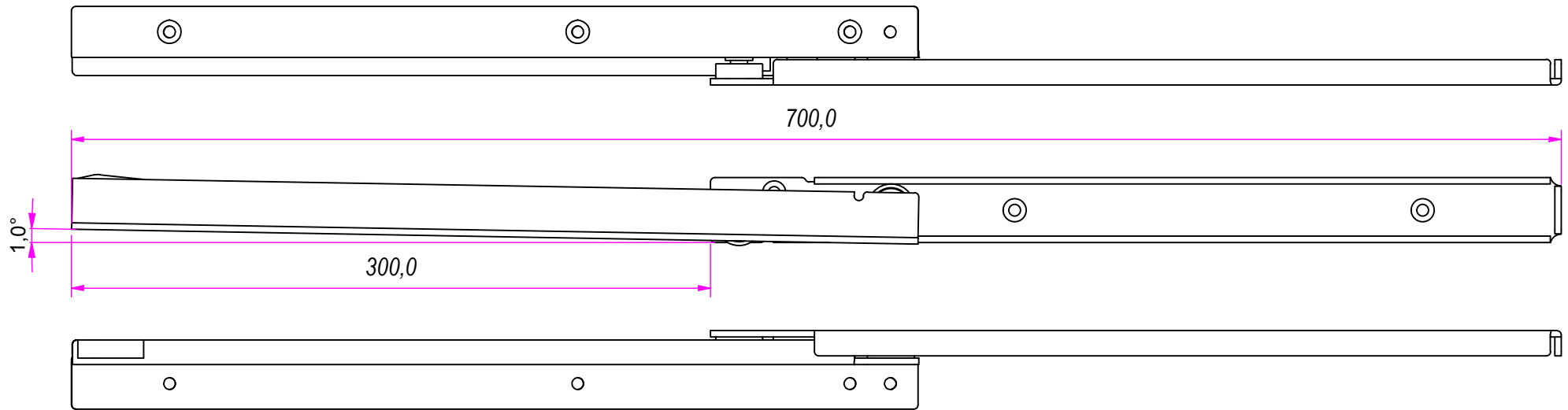



DESIGNED BY F. Dino	CHECKED AND APPROVED BY L. Paleari	GENERAL TOLLERANCE SS-ISO-2768-1M	DATE 27/01/2020	CODE CH76400
PACKAGING Carton 8 sets/Packed R+L			UNIT mm	SHEET 1 of 2
DESCRIPTION DRAWER SLIDE			MATERIAL Cold rolled steel	
DEVICE			PAIR WEIGHT 1,784 Kg	02C

		REVISION HISTORY		
		REV	DESCRIPTION	DATE
Guide per cassetti; guide telescopiche	Coulisses à billes; coulisse télescopique	1a		27/01/2020
Drawer slide; telescopic ball bearing slide	Guías para cajones; guía teleópica			
Kugelführung; Teleskopschienen				

Property of RAM Industrie.
Without its written authorization the present drawing shall neither be used for construction anyway, communicated to third parties, nor reproduced.



DESIGNED BY F.Dino	CHECKED AND APPROVED BY L. Paleari	GENERAL TOLERANCE SS-ISO-2768-1M	DATE 27/01/2020	CODE CH76400
PACKAGING Carton 8 sets/Packed R+L			UNIT mm	SHEET 2 of 2
			MATERIAL Cold rolled steel	
			DEVICE	PAIR WEIGHT 1,784 Kg

Property of RAM Industrie.
Without its written authorization the present drawing shall neither be used for construction anyway, communicated to third parties, nor reproduced.