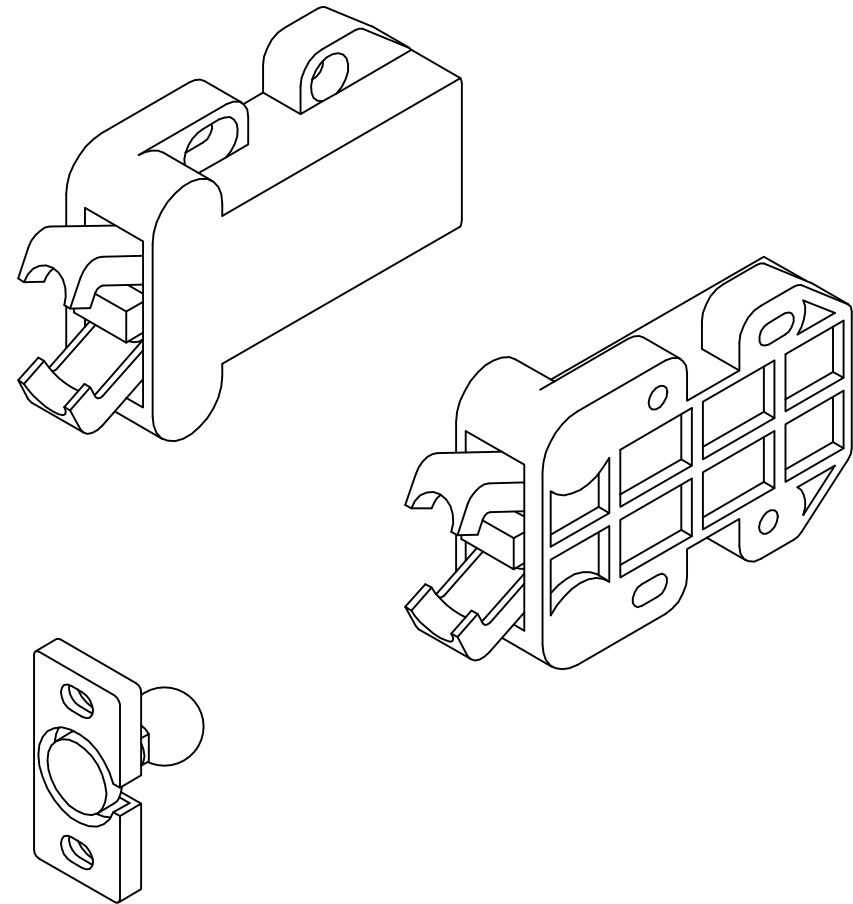
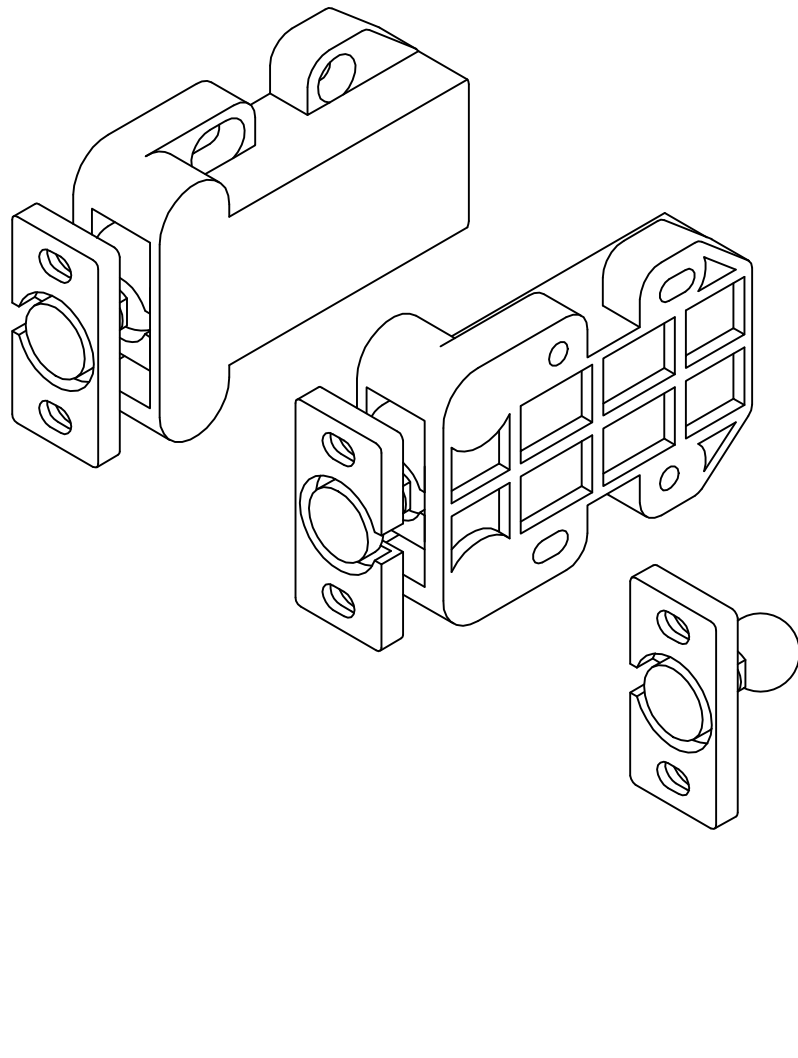


REVISION HISTORY			
REV	DESCRIPTION	APPROVED BY	DATE
1		F.Dino	01/12/2016

DESIGNED BY F.Dino	CHECKED AND APPROVED BY L. Paleari	DATE 01/12/2016	CODE 41PCS	
	GENERAL TOLLERANCE SS-ISO-2768-1M	UNIT mm	SCALE	SHEET 1 of 2
	DESCRIPTION Push&rebound universal device	MATERIAL		
	DEVICE	PIECE WEIGHT 0,023 Kg	02C	

Property of RAM Industrie.
Without its written authorization the present drawing shall neither be used for construction anyway, communicated to third parties, nor reproduced.



REVISION HISTORY			
REV	DESCRIPTION	APPROVED BY	DATE
1		F.Dino	01/12/2016

DESIGNED BY F.Dino	CHECKED AND APPROVED BY L. Paleari	DATE 01/12/2016	CODE 41PCS	
RAM INDUSTRIE	GENERAL TOLLERANCE SS-ISO-2768-1M	UNIT mm	SCALE	SHEET 2 of 2
	DESCRIPTION Push&rebound universal device	MATERIAL		
	DEVICE	PIECE WEIGHT 0,023 Kg	02C	

Property of RAM Industrie.
Without its written authorization the present drawing shall neither be used for construction anyway, communicated to third parties, nor reproduced.