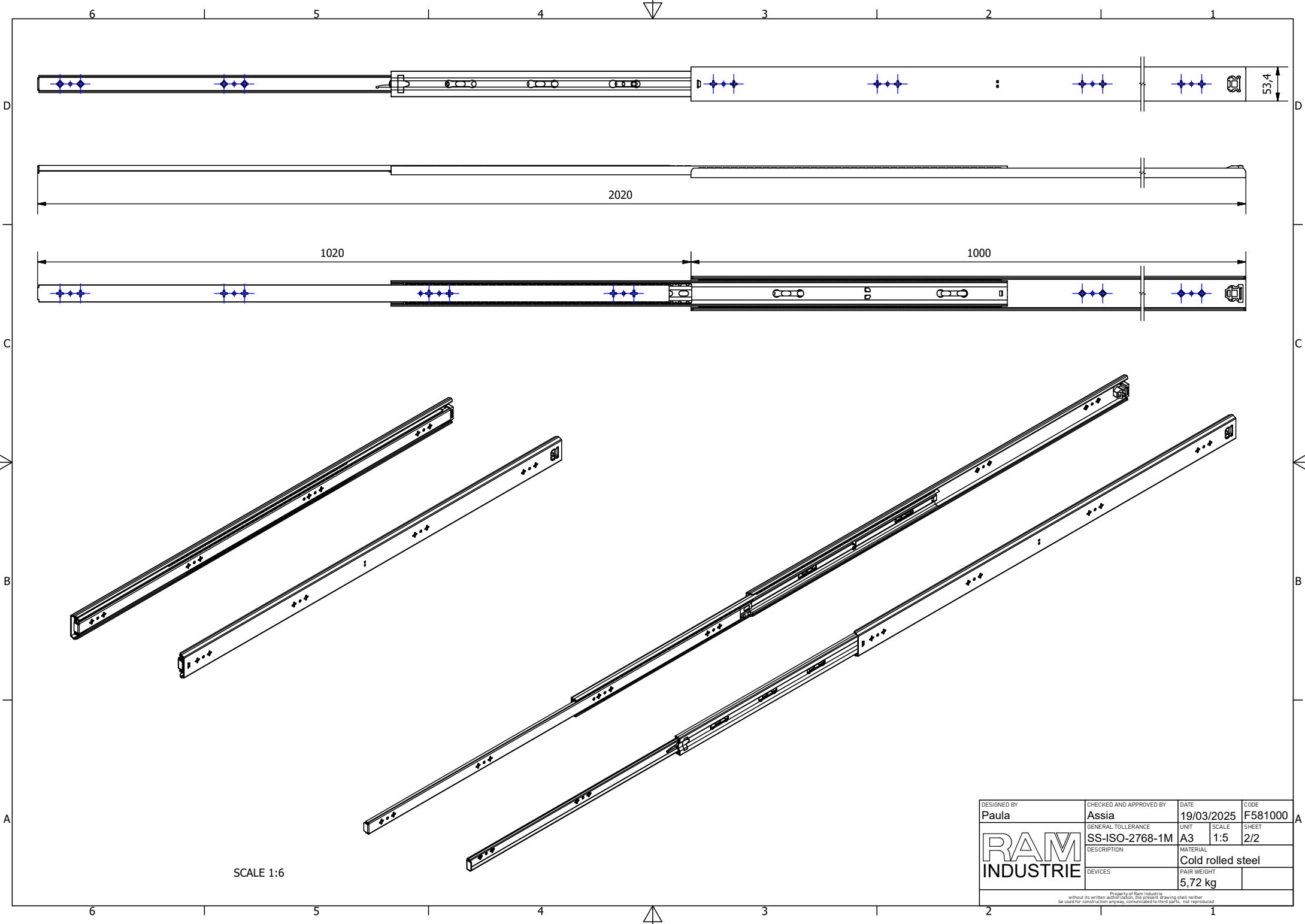


DESIGNED BY Paula	CHECKED AND APPROVED BY Assia	DATE 19/03/2025	CODE F581000
RAM INDUSTRIE	GENERAL TOLERANCE A3	UNIT A3	SCALE 1:3
	DESCRIPTION SS-ISO-2768-1M	MATERIAL Cold rolled steel	SHEET 1/2
DEVICES	PAIR WEIGHT 5,72 kg		

Property of Ram Industrie
without its written authorization, the present drawing shall neither be used for construction anyway, communicated to third parts, nor reproduced.



SCALE 1:6

DESIGNED BY Paula	CHECKED AND APPROVED BY Assia	DATE 19/03/2025	CODE F581000
RAM INDUSTRIE	GENERAL TOLERANCE SS-ISO-2768-1M	UNIT A3	SCALE 1:5
	DESCRIPTION	MATERIAL Cold rolled steel	
DEVICES	PAIR WEIGHT 5,72 kg		

Property of Ram Industrie
without its written authorization, the present drawing shall neither be used for construction anyway, communicated to third parties, nor reproduced