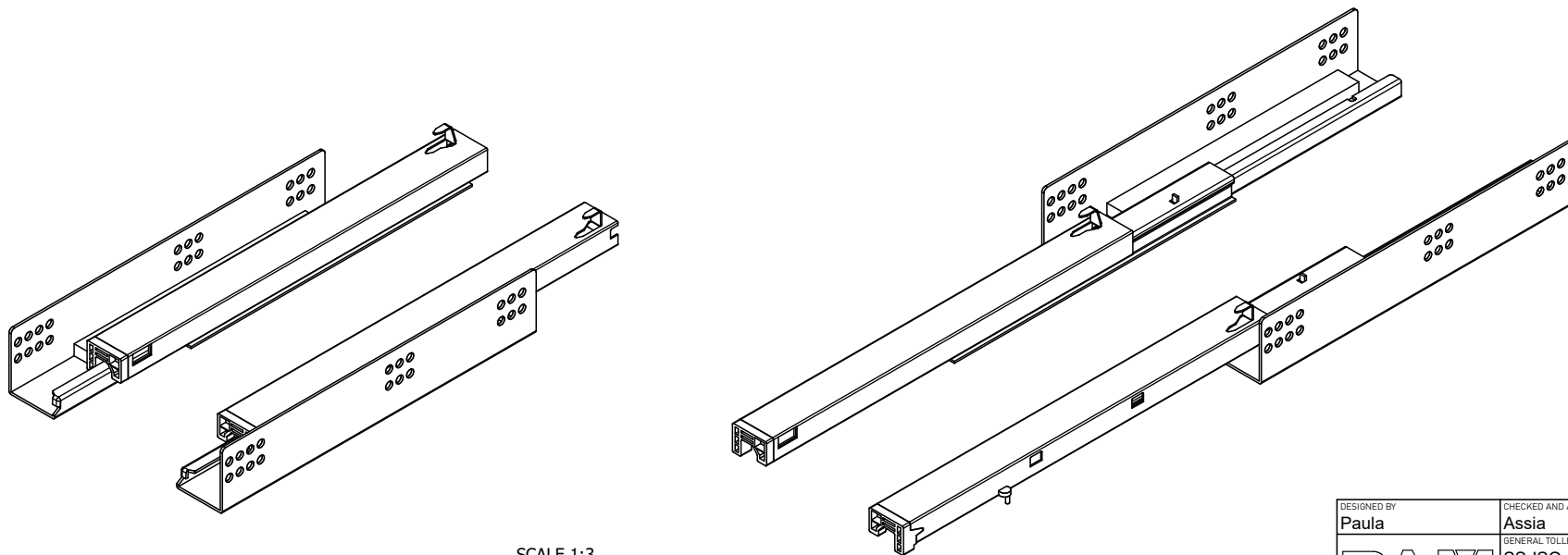
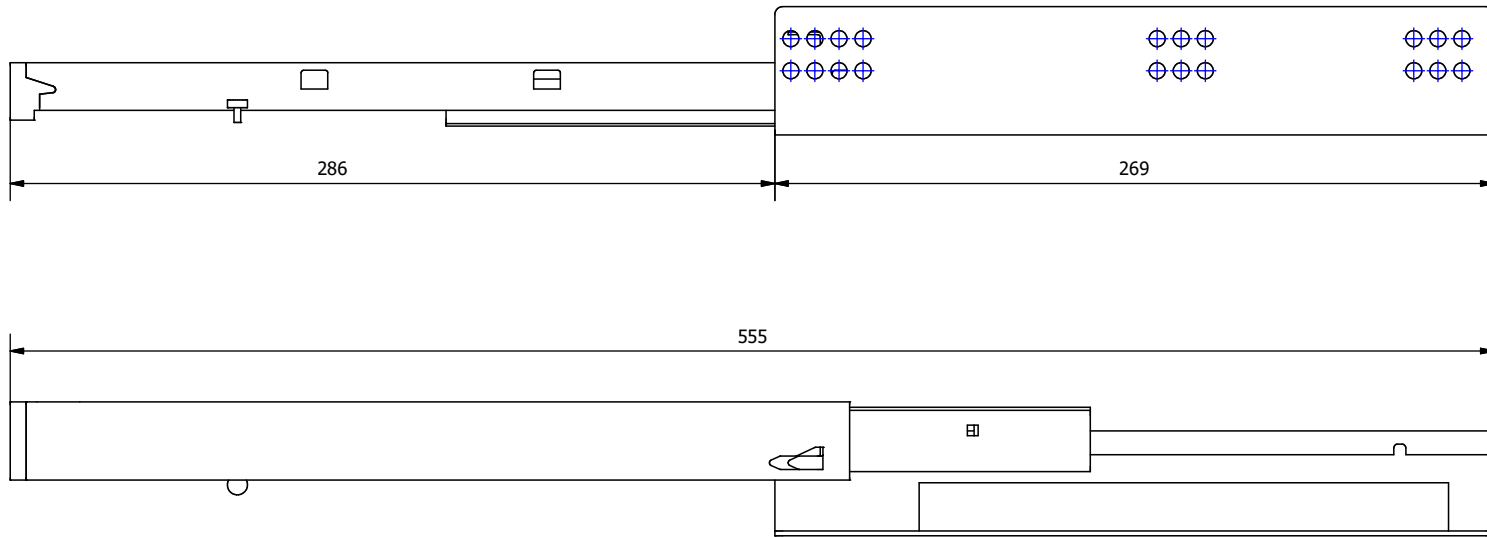


DESIGNED BY Paula	CHECKED AND APPROVED BY Assia	DATE 26/02/2025	CODE Q50350
RAM INDUSTRIE	GENERAL TOLLERANCE SS-ISO-2768-1M	UNIT A3	SCALE 1:1,5
	DESCRIPTION Cold rolled steel	MATERIAL	
DEVICES	PAIR WEIGHT 1,50 kg		

Property of Ram Industrie
without its written authorization, the present drawing shall neither be used for construction anyway, communicated to third parts, nor reproduced



SCALE 1:3

DESIGNED BY Paula	CHECKED AND APPROVED BY Assia	DATE 26/02/2025	CODE Q50350
RAM INDUSTRIE	GENERAL TOLERANCE SS-ISO-2768-1M	UNIT A3	SCALE 1:2
	DESCRIPTION DEVICES	MATERIAL Cold rolled steel	SHEET 2/2
		PAIR WEIGHT 1,50 kg	

Property of Ram Industrie
without its written authorization, the present drawing shall neither
be used for construction anyway, communicated to third parties, nor reproduced